

VICTORIO

Ice Crusher

VKPI 126

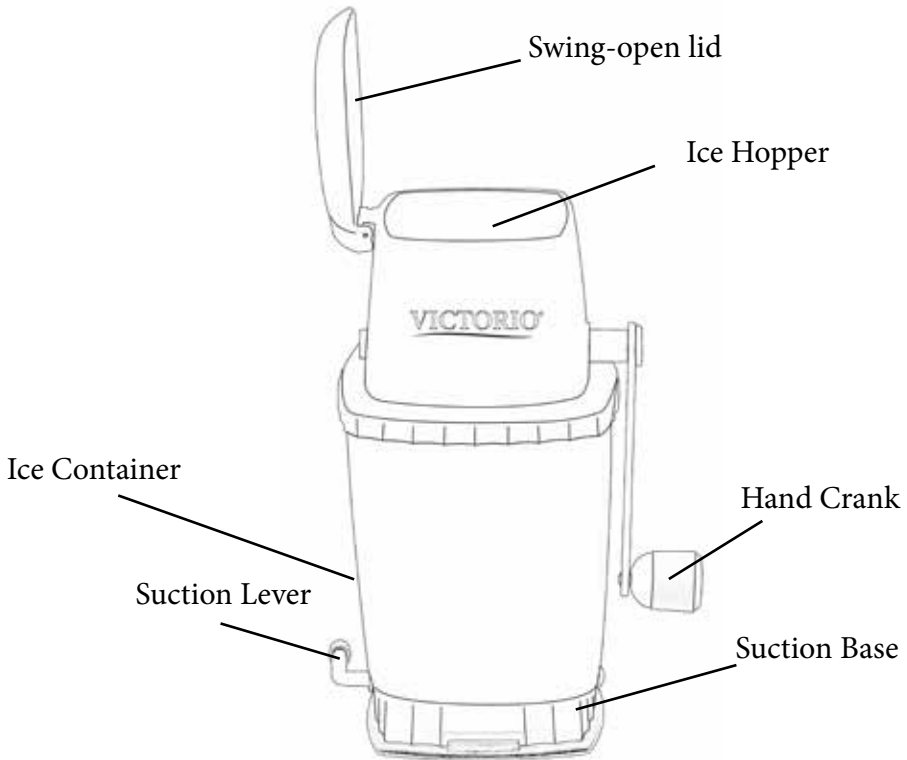


Instruction Manual

VICTORIO® Hand Crank Ice Crusher Model VKP1126

Parts Diagram:

Your complete Ice Crusher includes everything shown here:



Tips

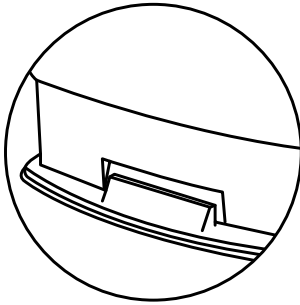
While crushing ice, the Ice Crusher may sometimes be difficult to turn. This is caused by slight melting of the ice during the crushing process.

- You can avoid this by using ice straight from the freezer, rather than letting it sit at room temperature while crushing.
- If the Ice Crusher does stick, **DO NOT** force it forward as this will cause damage. Instead, turn the crank a time or two in the opposite direction, then proceed as before.

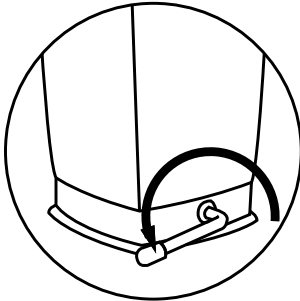
WARNING:

KEEP HANDS AWAY FROM BLADES. DO NOT OPERATE WITH LID OPEN! DO NOT PUSH ICE DOWN WITH YOUR FINGERS. MAKE SURE THE SUCTION BASE IS SECURED. NOT FOR USE BY CHILDREN.

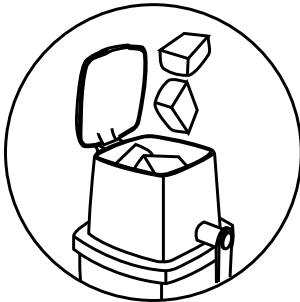
Using Your Ice Crusher:



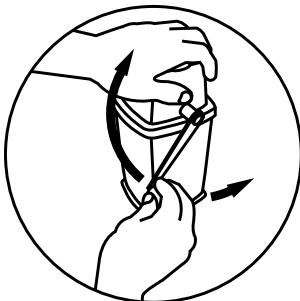
- Ensure that the suction cup base is clipped securely to the ice container.



- Place the Ice Crusher on a smooth, non-porous surface and turn the suction lever counterclockwise for a secure hold.



- Fill the hopper with ice cubes and close the hopper.



- While holding the lid closed on top of the Ice Crusher, turn the handle to crush ice. Turn counterclockwise for coarse ice or clockwise for finely crushed ice.

Product Warranty

Model VKP1126 - Ice Crusher Warranty: 5 year

We are confident in the quality of our products and back each one with a limited warranty for the length of time specified above. Should you experience any problems with your product, please contact our customer service department.

All warranty claims must be accompanied by proof of purchase and are only valid if the appliance has been operated for its intended purposes. This product is for household use only.

Items Not Covered:

- Return shipping costs or returned items lost in transit.
- Damages to the product due to accident, misuse, abuse, negligence, or if the appliance has been altered in any way.

VICTORIO® Kitchen Products

1804 Sandhill Road
Orem, UT 84058

By phone: **866-257-4741**
By email: Help@Victorio.info

www.Victorio.info

*For the most up-to-date manual, or for more information regarding this product, visit our website: **www.VICTORIO.info**.

©Copyright 2014 VICTORIO® Kitchen Products, Inc. All rights reserved.