

VICTORIO®

≡ *Stainless Steel* ≡
STOVEPOP™

VKP1160



Instruction Manual

Table of Contents

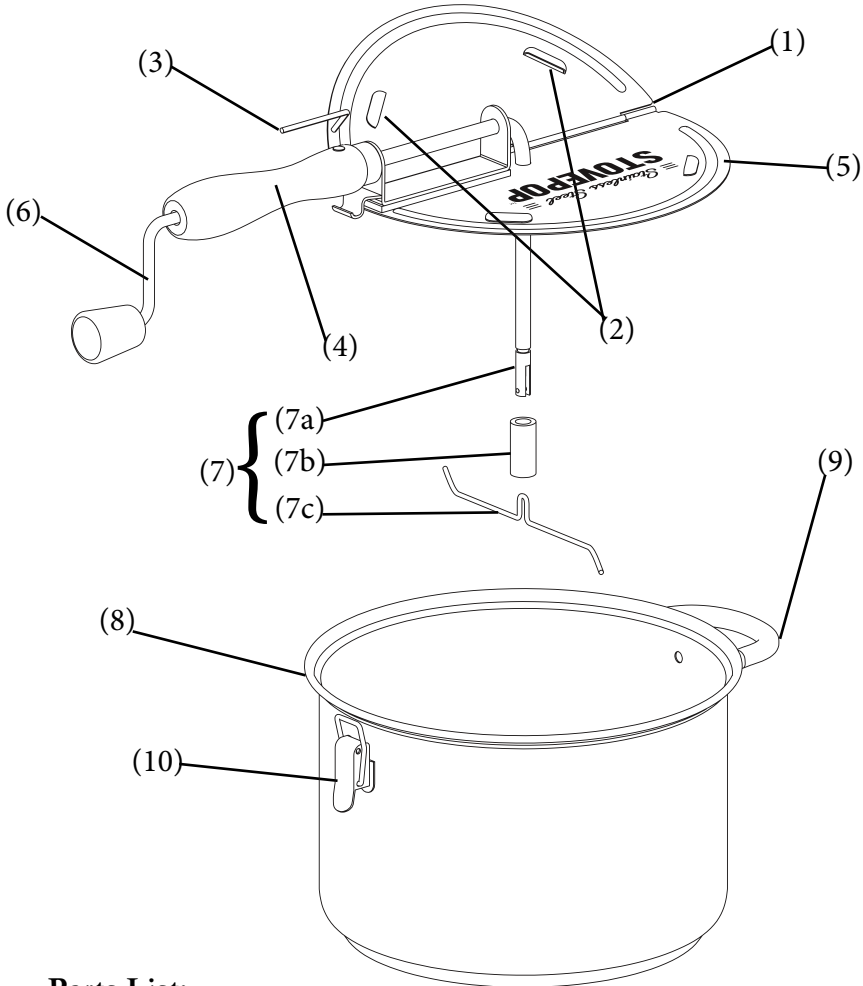
| | |
|-----------------------------------|------------|
| Parts List & Diagram..... | 1 |
| Operating Precautions..... | 2 |
| Cleaning Instructions | 2 |
| Accessories..... | 2 |
| Assembly & Use Instructions | 3 |
| Tips & Recipes..... | 4 |
| Warranty/Contact Info | Back Cover |

*For the most up-to-date manual, or for more information regarding this product, visit our website: **www.VICTORIO.info**.

StovePop™ Flex-Drive Popper by VICTORIO® Model VKP1160

Parts Diagram:

Your complete Popper includes everything shown here:



Parts List:

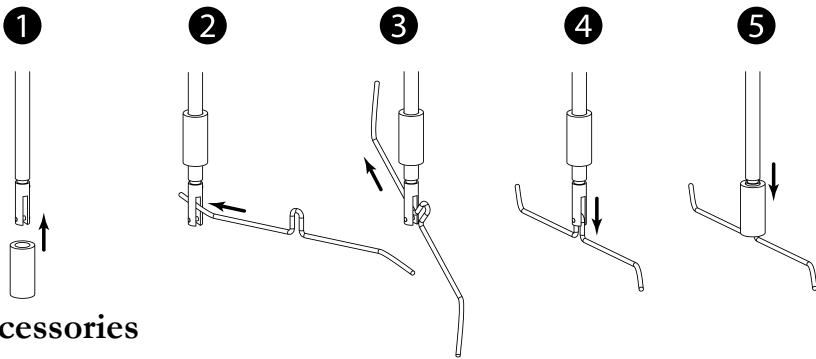
- | | |
|--|---|
| (1) Lid | (7) Stir rod Assembly (contains 7a, 7b, and 7c) |
| (2) Steam vents | (7a) Stir rod holder |
| (3) Lid lifting rod | (7b) Weight |
| (4) Wood handle with magnet | (7c) Stir rod |
| (5) Lid pin | (8) Pot |
| (6) Crank handle with flex-drive cable | (9) Pouring handle |
| | (10) Lid latch |

Operating Precautions

- To prevent personal injury or property damage, read and follow all instructions and warnings.
- Do not use for other than intended use.
- Do not operate if damaged in any manner. For service information see warranty page.
- For household use only.
- Popper is hot when in use and until completely cooled. Use caution.

Cleaning Instructions

Before using for the first time, wash in warm, soapy water, rinse and dry thoroughly. The popper must be washed with hot water and soap immediately after every use. Do not wash in a dishwasher or allow to soak in water as wooden handle will be damaged. Stirring mechanism is designed to come apart for cleaning. Reassemble the stirring mechanism as shown below.



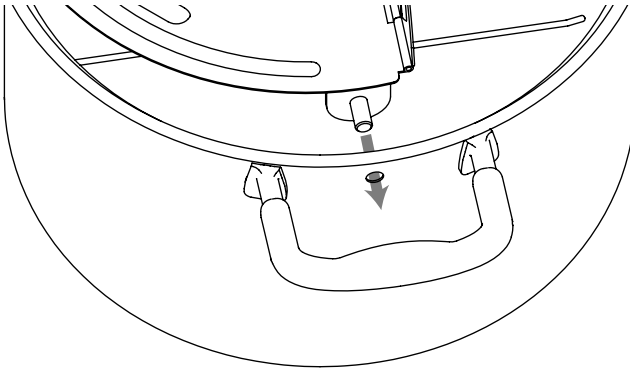
Accessories

Movie night is never complete unless there's a bucket of popcorn. VICTORIO Popcorn Marquee buckets and boxes provide the atmosphere of going to the theater from the comfort of home! To purchase, visit our website, www.victorio.info.



Assembling Your Popper:

1. Insert lid pin in the hole in the pot, located beneath the pouring handle.
2. Line up crank handle with the lid latch.
3. Secure lid with the lid latch.



Using Your Popper:

NOTE: The maximum capacity for this popper is 1/2 cup unpopped kernels.

1. Place 1-3 Tablespoons of your choice of oil, and 1/2 cup popcorn in the cold popper. Note: While butter makes a nice topping for your popcorn, it is not recommended for popping as it burns at a much lower temperature than vegetable oil, olive oil, peanut oil, coconut oil, etc.
2. Place the popper on a cold burner and turn on to medium to medium-high heat. The temperature is dependent upon your stove as this can vary from manufacturer to manufacturer. Note: Preheating the burner will cause more kernels to not pop. Bringing up to temperature gradually will give a better end result.
3. Place one hand on the pouring handle while turning the crank handle with the other hand. The handle should be cranked in a clockwise direction.
4. Once you hear the first few kernels pop, turn the temperature down to medium or medium-low. This will keep the pan from scorching.
5. Keep turning the crank handle until resistance is met. Continuing to force the crank handle after this point can cause damage to the flex-drive cable and will break the popcorn into smaller pieces.
6. Remove the popper from the heat and allow kernels to continue popping without stirring.

7. Raise the lid lifting rod so it attaches to the magnet. Pour the popcorn into your choice of VICTORIO Popcorn Marquee buckets or boxes.
8. Enjoy!

Tips

Follow these simple steps with each variety of popcorn you pop, for a perfect batch each time.

1. Measure 1/2 cup popcorn kernels
2. Pop using instructions on page 3. NOTE: Remember to move the popper off heat once resistance it met. Allow the residual heat of the pan to pop any additional kernels without worry of burning.
3. After serving the popcorn, measure any unpopped kernels.
4. When making subsequent batches, reduce the 1/2 cup kernels by the amount left unpopped in the first batch. (For example, your first batch with a variety of popcorn left you with 2 teaspoons of unpopped kernels. On subsequent batches of that variety, measure 1/2 cup kernels then remove 2 teaspoons before popping.)

Ranch Flavored Popcorn

Ingredients:

- 8 cups popped popcorn (approximately 1/2 cup unpopped)
 - 2 Tablespoons butter, melted
 - 1-ounce package ranch dressing/seasoning mix
 - 2 Tablespoons chopped chives (optional)
 - Salt to taste
1. Drizzle melted butter over the popcorn. Stir to thoroughly coat.
 2. Sprinkle ranch mix over the popcorn and toss to coat.
 3. Salt as needed and toss if chives if desired.
 4. Serve and enjoy!

Pepperoni Pizza Popcorn

Ingredients:

- 2/3 cup chopped pepperoni
- 1 Tablespoon vegetable oil
- 1/2 cup unpopped popcorn kernels
- 2/3 cup shredded mozzarella cheese
- 1/4 cup grated parmesan cheese
- 1 Tablespoon olive oil
- 1/2 teaspoon granulated garlic
- 1/2 teaspoon oregano
- Salt & pepper to taste

1. Cook pepperoni and vegetable oil in popper over medium heat until the pepperoni is crisp. Remove pepperoni from popper with slotted spoon and drain on paper towel.
2. Add popcorn kernels to popper and pop as usual.
3. Toss pepperoni and remaining ingredients in with the popcorn.
4. Serve and enjoy!

Peanut Butter Popcorn

Ingredients:

- 8 cups popped popcorn (from approximately 1/2 cup unpopped)
- 1/2 cup honey
- 1/3 cup sugar
- 1/2 cup peanut butter
- 1 teaspoon vanilla extract
- 1 teaspoon salt
- 1 cups peanuts (optional)

1. Heat honey and sugar in a heavy-bottomed saucepan over medium heat. Stir until the sugar dissolves, about 5 minutes.
2. Stir in peanut butter, vanilla, and salt. Keep stirring until smooth.
3. Pour mixture over popcorn and stir to coat. Optional: Toss in peanuts.
4. Serve and enjoy!

Product Warranty

Model VKP1160 - StovePop™ Flex-Drive Popper Warranty: 1 year

We are confident in the quality of our products and back up each one with a limited warranty for the length of time specified above. Should you experience any problems with your product, please contact our Customer Service Department. **Do not return the item to the retailer.**

All warranty claims must be accompanied by a proof of purchase and are only valid if the appliance has been operated within the U.S. or Canada and used for its intended purposes. These products are for household use only.

Items Not Covered:

- Return shipping costs or returned items lost in transit.
- Damage to the product due to accident, misuse, abuse, negligence, or if the appliance has been altered in any way.
- Products used outside of the United States or Canada.

VICTORIO Kitchen Products

1804 Sandhill Road
Orem, UT 84058

By phone: **866-257-4741**

By email: Help@VICTORIO.info

www.VICTORIO.info